

## CUBE67 BUS NODES

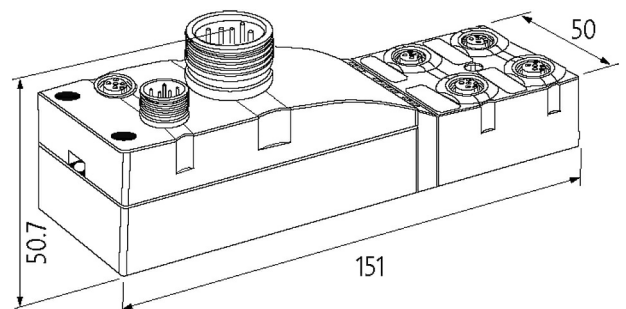
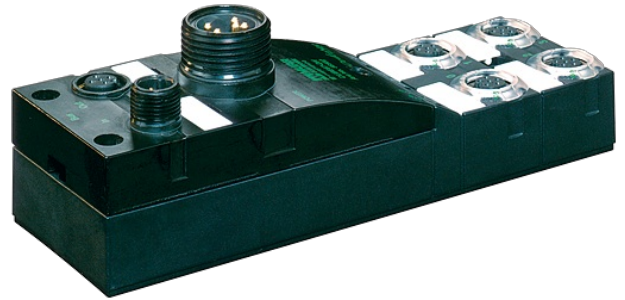
CANopen

CANopen

Connection cables are in the online shop under "Connection Technology".

Housing fully potted.

### Illustration



Product may differ from Image

### Approvals



### More Info

CANopen

### Connections

|                               |                            |
|-------------------------------|----------------------------|
| Fieldbus                      | CAN 1 Mbit/s; M12, A-coded |
| Sensor-system/actuator supply | 7/8", 5-pole, max. 9 A     |
| Internal system connection    | M12, 6 pole; max. 4 A      |

### General data

|                   |   |
|-------------------|---|
| Protection        | IP67  |
| Mounting method   | 2-hole screw mounting                         |
| Temperature range | 0...+55 °C (storage temperature -20...+75 °C) |
| Dimensions H×W×D  | 151×50×50.3 mm                                |

**Module supply**

|                     |                      |
|---------------------|----------------------|
| Operating voltage   | 24 V DC (EN 61131-2) |
| Current consumption | max. 70 mA           |

**CANopen**

|            |                      |
|------------|----------------------|
| Addressing | Rotary switch 1...99 |
|------------|----------------------|

**Cube system**

|                 |         |
|-----------------|---------|
| Module capacity | max. 16 |
|-----------------|---------|

**Diagnostic**

|                            |                        |
|----------------------------|------------------------|
| Communication status       | via LED and BUS        |
| Diagnostic via LED         | per module and channel |
| Diagnostic via BUS         | per module and channel |
| Monitoring - under voltage | yes                    |
| Monitoring - no voltage    | yes                    |
| Short-circuit and overload | yes                    |

**Commercial data**

|                       |               |
|-----------------------|---------------|
| country of origin     | DE            |
| customs tariff number | 85389099      |
| EAN                   | 4048879048712 |
| eClass                | 27242608      |
| Packaging unit        | 1             |